

Terminus Shock Sensors offer superior perimeter protection and are UL approved for mounting on windows, walls, roofs, ATMs or night depositories. They can also be used for safes and vaults.

The SP3237 Terminus Shock Sensor contains two sets of contacts that must be activated simultaneously to signal an alarm. This dual contact technology reduces false alarms caused by failure of the single contact. All metal components are gold plated and hermetically sealed against dust and moisture to rigid ASTM standards, eliminating corrosion from liquid or vapor contaminants.

Shock waves produced by an intruder cause the dual elements to momentarily bounce off gold plated electrical contacts. An open circuit sends a signal to a Terminus processor which analyzes and then reports its status to the main alarm control panel.

Compact and Attractive. Available in white, beige and brown, the sensor measures just 1 3/8" x 7/8" x 3/8".

UL Listed to U.S. safety standards.

Versatile. The SP3237 is also available in a damped version that is used in the same loop(s) with the SP3237. A condition requiring a damped sensor might be a loose fitting door or window. The standard sensor comes with a 10 inch lead and can be ordered with a 10 foot lead. The SP3237 is also available in a tamper-resistant junction box for installations where the appearance of the sensor is important and wire splices cannot be exposed due to local codes.

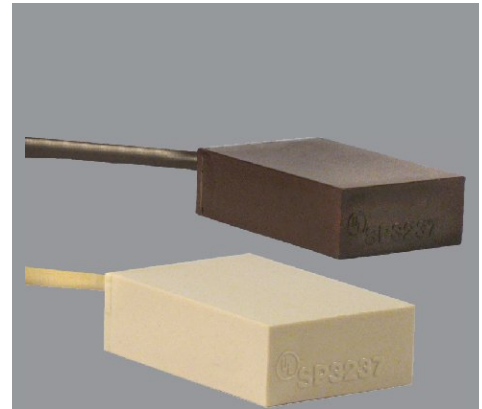
Dependable. With a return rate of just 29 per million shipped, Terminus is the industry standard in shock sensors.

The Terminus Family. Other Terminus sensors include recessed, fence kits and junction box. Processors include our Pac-A-Dap One, Two, and Four Zone Processors and our UL-Listed One and Four Zone Processors and Four Zone UL Expander.

Ten Year Warranty.

Every Terminus Shock Sensor is covered under a ten year limited warranty against defects in materials and workmanship.

For more information about our Terminus Processors and the complete line of Terminus perimeter intrusion detection systems contact us at 1.866.680.TERM (8376).



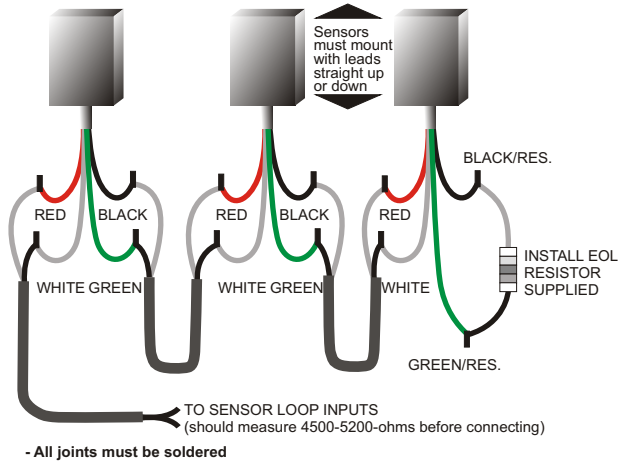
Shown in Beige & Brown

SP3237 - Standard Sensor



Dimensions: 1 3/8" x 7/8" x 3/8".

Temperature: Operates effectively between
-40°F or rise to 160°F



Sensor Wiring

Superior shock protection begins with Terminus sensors properly placed on structural materials.

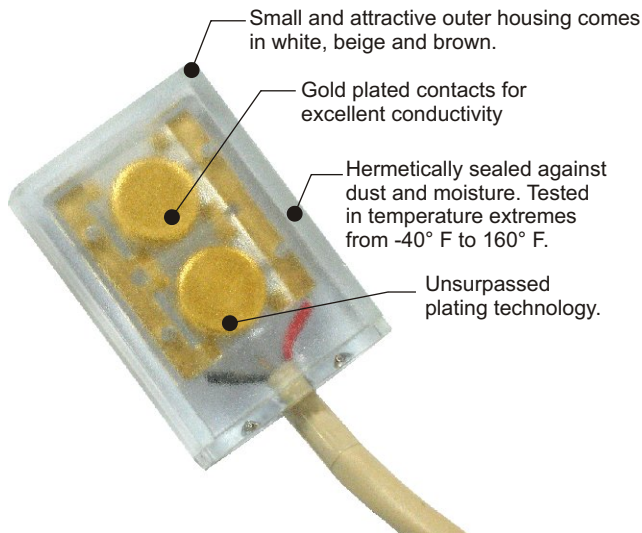
Up to 50 Terminus shock sensors can be series connected to all processors. Other normally closed, sealed reed switches can be wired in series, using 22 gauge twisted pair for loops less than 1,500 feet and 18 gauge twisted pair for longer loops. Wires may be freely routed through walls, ceilings, and along baseboards, but not in channels alongside power cables or telephone circuits. The diagram below illustrates typical sensor wiring for our SP3237 sensors.

SP3237 Part Numbers

Part #	Standard Shock Sensors
SP3237BUR	Beige, 10" Lead
SP3237CUR	Brown, 10" Lead
SP3237WUR	White, 10" Lead
SP3237BUL	Beige, 10' Lead
SP3237CUL	Brown, 10' Lead
SP3237WUL	White, 10' Lead
SP3237BDR	Beige, Damped, 10" Lead
SP3237CDR	Brown, Damped, 10" Lead
SP3237WDR	White, Damped, 10" Lead
SP3237BDL	Beige, Damped, 10' Lead
SP3237CDL	Brown, Damped, 10' Lead
SP3237WDL	White, Damped, 10' Lead

Part #	Junction Box Shock Sensors
SP3237JBB	Sensor, Beige
SP3237JBC	Sensor, Brown
SP3237JBW	Sensor, White
SP3237DJBB	Sensor, Beige, Damped
SP3237DJBC	Sensor, Brown, Damped
SP3237DJBW	Sensor, White, Damped
SP3237DJTB	Sensor, Beige, Damped, Tampered
SP3237DJTC	Sensor, Brown, Damped, Tampered
SP3237DJTW	Sensor, White, Damped, Tampered
SP3237JBTB	Sensor, Beige, Damped, Tampered
SP3237JBTC	Sensor, Brown, Damped, Tampered
SP3237JBTW	Sensor, White, Damped, Tampered

A Look inside the Sensor



Sensor Installation Position

